

The world's favorite lock



Key-in-Lever



Key-in-Lever

The Range represents an excellent benchmark in semi commercial security door hardware.

Features and Specifications

Specifications

- One Lever design.

Backset

- Standard 70mm backset for Key in Lever.
- Extension tubes available for 127mm backset.

Latchbolt

- Stainless Steel latch bolt.
- 12.5mm throw.

Cylinder

- Standard Yale Keyway with two keys.
- Brass cylinder

Door Thickness

- Suits door thickness 35 ~ 46mm.

Strike

- Standard strike with anti-rattle tab for door and frames with ANSI A115.2 preparations.

Standard

- The YL Range Key in Lever cylindrical locksets have been successfully tested to ANSI standard and rated Grade 2.

Fire Rating

- The Key in Lever cylindrical locksets are able to test up to 4 hours on fire door assemblies in accordance with Australian Standards AS-1905 Part 1, fire resistant door sets.



Application

A range of cylindrical locksets suitable for semi commercial applications such as apartments and offices.

Keying

Can be keyed alike.

Handing

Handing is field changeable.

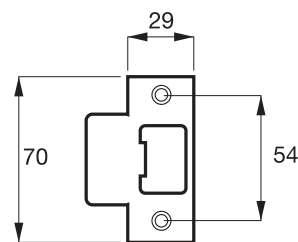
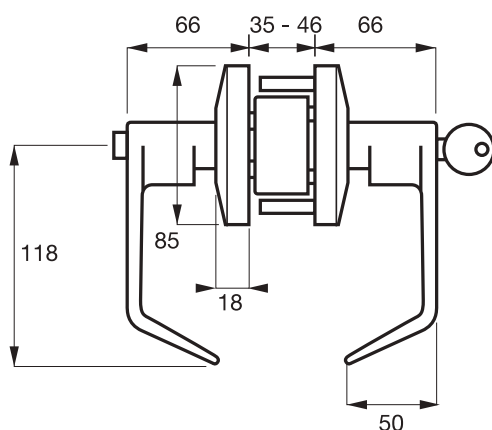
Finishes

Standard Satin Chrome Plate - US26D.

Functions

- Passage Set
- Privacy Set
- Storeroom
- Entrance Set

Dimensions



All dimensions are in mm

Key-in-Lever

Lock Functionality

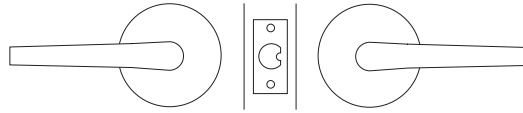
Passage Set

Model No:
YL- 01

Description:
Yale Cylindrical Key Lever-
Passage Latchset

Finish:
Satin Chrome - US26D

Ordering No. : YL - 01



Outside
Opened by lever at all times.

Inside
Opened by lever at all times.

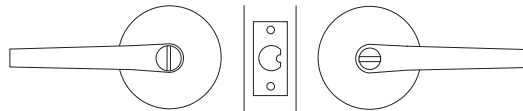
Privacy Set

Model No:
YL- 02

Description:
Yale Cylindrical Key Lever -
Privacy Lockset

Finish:
Satin Chrome - US26D

Ordering No. : YL - 02



Outside
Opened by lever when free. Coin
or screwdriver in emergency
button unlocks both levers.
*Includes anti-lockout function.

Inside
Opened by knob when free.
Pushbutton locks exterior lever.

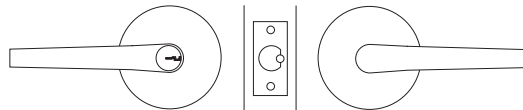
Storeroom Deadlatch

Model No:
YL- 05

Description:
Yale Cylindrical Key Lever-
Storeroom Lockset

Finish:
Satin Chrome - US26D

Ordering No. : YL - 05



Outside
Opened by key only.
Outside lever is rigid at all times.

Inside
Opened by lever at all times.

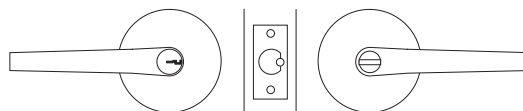
Entrance Set

Model No:
YL- 07

Description:
Yale Cylindrical Key Lever-
Entrance Lockset

Finish:
Satin Chrome - US26D

Ordering No. : YL - 07



Outside
Opened by lever when unlocked.
Key unlocks exterior lever.

Inside
Opened by lever at all times.
Pushbutton locks exterior lever

Key-in-Lever

Key in Lever Accessories

Latches



Model No:	Product Description
YK - DL60	Yale Cylindrical Y Series Accessory - Deadlatch 60mm
YK - PL60	Yale Cylindrical Y Series Accessory - Plainlatch 60mm
YK - PLP60	Yale Cylindrical Y Series Accessory - Privacy 60mm
YK - DL70	Yale Cylindrical Y Series Accessory - Deadlatch 70mm
YK - PL70	Yale Cylindrical Y Series Accessory - Plainlatch 70mm
YK - PLP70	Yale Cylindrical Y Series Accessory - Plainlatch Privacy 70mm

Extension Tubes



Model No:	Product Description
YK - ET60	Yale Cylindrical Y Series Accessory - Extension Tube for 60mm latch
YK - ET70	Yale Cylindrical Y Series Accessory - Extension Tube for 70mm latch

Cylinder



Model No:	Product Description
YK - 05CYL	Yale Cylindrical Y Series Accessory - Cylinder for Exterior Escape and Storeroom