

The world's favorite lock



Mortise Locks



Mortise Lock

The range of Yale Mortise Locks consists of various functions to meet most security and locking requirements.

Application

The Yale Mortise Lock series is suitable for hinged timber, metal and fire doors where applicable. The innovative mortise lock, features a non handed product that is extremely easy to install and suitable for new and most retrofit applications.

Product Range

Double throw deadbolt makes this mortise lock versatile for most door opening solutions. A wide selection of door furniture options are available to suit the Yale Mortise Lock series.

Refer to Door Furniture Section.

Door Thickness

Door thickness range 30mm to 50mm with the standard screw fixing pack provided.

Handing

Field selectable handing enables installer to easily select the handing during installation.

Fixing / Pitching

Full concealed mortise lock.

Keying

Standard fixed cam Euro profile Cylinders.

Materials

Latch bolt, deadbolt, faceplate are all made of Stainless Steel.

Standards

Complies to EN12209 standard.

Fire tested to AS 1530.4-2005 Standard

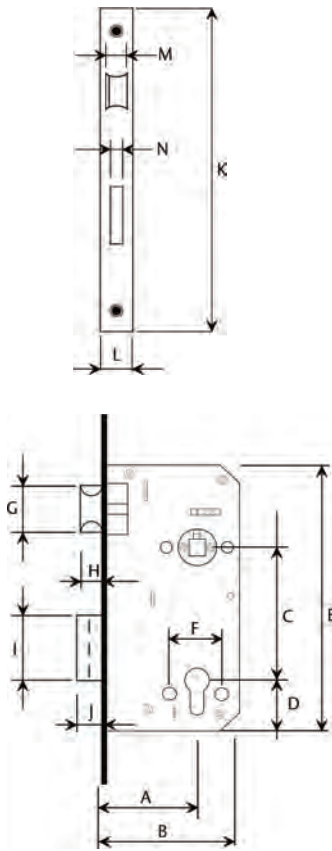
Standard Finishes

Satin Stainless Steel – SSS



Mortise Lock

Limiting Dimensions



8 Locking Functions

- Passage Latch
- Entrance Lockset
- Deadlock Lockset
- Classroom Lockset
- Nightlatch Lockset
- Privacy Lockset
- Roller Bolt Entrance Lockset
- Panic Exit Entrance Lockset

A	B	C	D	E	F	G
60	88	72	30	165	38	30
H	I	J	K	L	M	N
12	35	20	235	24	12	9

All dimensions are in mm

Mortise Lock

Lock Functionality

Passage Latch

Lock case:

38P1

Finish:

SSS - Satin Stainless Steel

Description:

38P1 Yale Euro Mortise Lock

Backset:60mm

Passage Latchset SSS

C to C:72mm

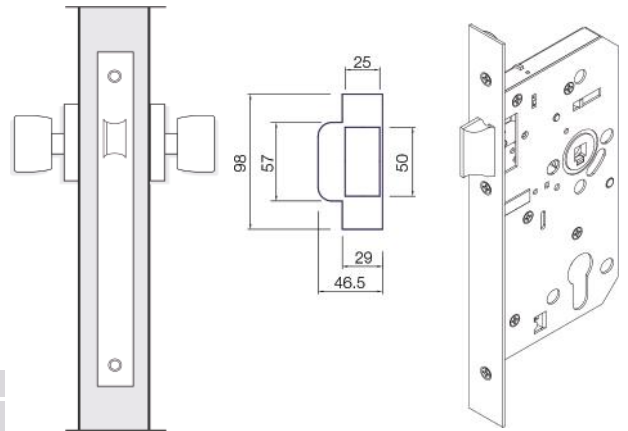
Door thickness:35mm to 50mm

Outside:

- Opened by handle at all times

Inside:

- Opened by handle at all times



Lock case	Face plate		Finish	
38P1	S	Standard, Square Ends	US32D	Satin Stainless Steel
	R	Optional, Round Ends		

Entrance Lockset

Lock case:

38P3

Finish:

SSS - Satin Stainless Steel

Description:

38P3 Yale Euro Mortise Lock

Backset:60mm

C to C:72mm

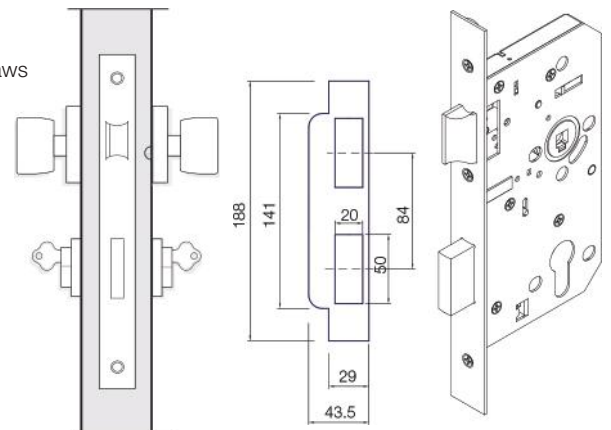
Door thickness:35mm to 50mm

Outside:

- Opened by handle when unlocked. Lever withdraws latchbolt. Key locks or unlocks bolt, key withdraws latchbolt

Inside:

- Opened by handle when unlocked. Lever withdraws latchbolt. Key or turn locks or unlocks bolt, key or turn withdraws latchbolt



Lock case	Face plate		Finish	
38P3	S	Standard, Square Ends	US32D	Satin Stainless Steel
	R	Optional, Round Ends		

Deadlock Lockset

Lock case:

38P4

Finish:

SSS - Satin Stainless Steel

Description:

38P4 Yale Euro Mortise Lock

Backset:60mm

C to C:72mm

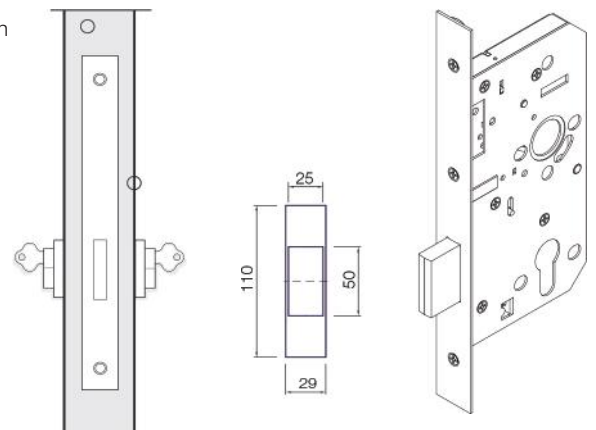
Door thickness:35mm to 50mm

Outside:

- Bolt is locked or unlocked by key or turn

Inside:

- Bolt is locked or unlocked by key or turn



Lock case	Face plate		Finish	
38P4	S	Standard, Square Ends	US32D	Satin Stainless Steel
	R	Optional, Round Ends		

Mortise Lock

Lock Functionality

Classroom Lockset

Lock case:
38P5

Finish:
SSS - Satin Stainless Steel

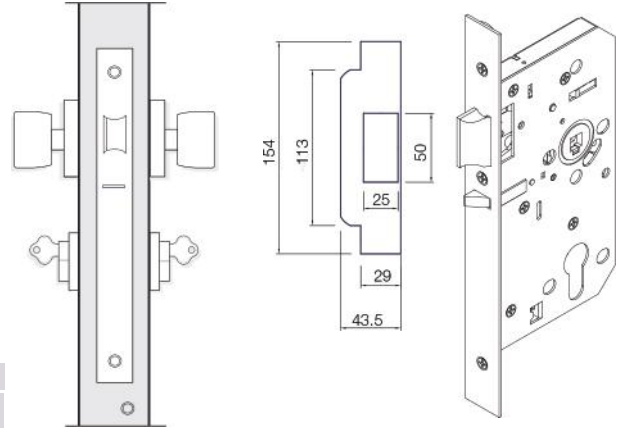
Description:
38P5 Yale Euro Mortise Lock
Backset:60mm
C to C:72mm
Door thickness:35mm to 50mm

Outside:

- Opened by handle except when handle is made inoperative by key from outside. Key locks or unlocks outside handle

Inside:

- Open by handle at all times.



Lock case	Face plate		Finish	
38P5	S	Standard, Square Ends	US32D	Satin Stainless Steel
	R	Optional, Round Ends		

Nightlatch Lockset

Lock case:
38P6

Finish:
SSS - Satin Stainless Steel

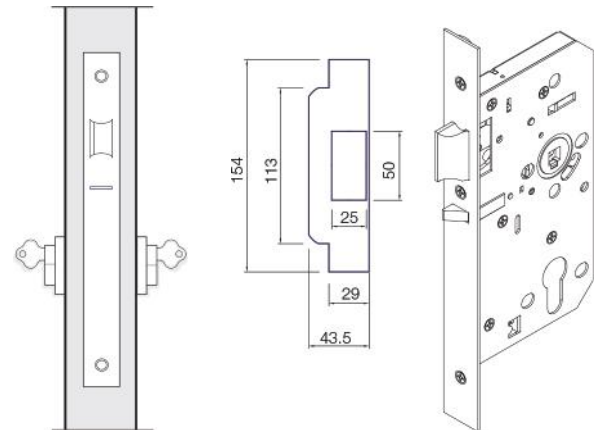
Description:
38P6 Yale Euro Mortise Lock
Backset:60mm
Nightlatch SSS
C to C:72mm
Door thickness:35mm to 50mm

Outside:

- Latch is withdrawn by key or turn

Inside:

- Latch is withdrawn by key in turn



Lock case	Face plate		Finish	
38P6	S	Standard, Square Ends	US32D	Satin Stainless Steel
	R	Optional, Round Ends		

Privacy Lockset

Lock case:
38P9

Finish:
SSS - Satin Stainless Steel

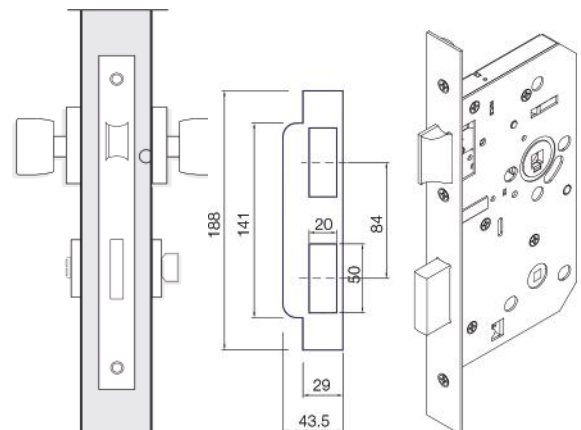
Description:
38P9 Yale Euro Mortise Lock
Backset:60mm
Privacy SSS
C to C:72mm
Door thickness:35mm to 50mm

Outside:

- Opened by handle except when bolt is thrown by turn knob from inside. Bolt may be unlocked from outside by coin or screwdriver by operating the slotted emergency button.

Inside:

- Opened by handle except when bolt is thrown by inside turn knob.



Lock case	Face plate		Finish	
38P9	S	Standard, Square Ends	US32D	Satin Stainless Steel
	R	Optional, Round Ends		

All dimensions are in mm

Mortise Lock

Roller Bolt Entrance Lockset

Lock case:

38PRB

Finish:

SSS - Satin Stainless Steel

Description:

38PRB Yale Euro Mortise Lock

Backset:60mm

Roller Bolt Entrance SSS

C to C:72mm

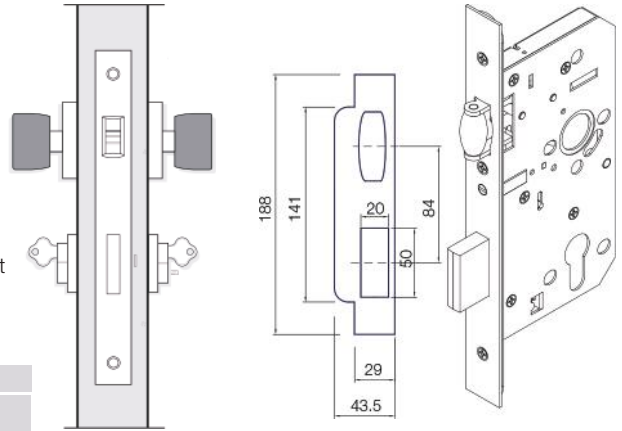
Door thickness:35mm to 50mm

Outside:

- Bolt is locked or unlocked by key or turn

Inside:

- Bolt is locked or unlocked by key or turns
Roller bolt always can open the door inside and outside when door is unlocked, roller bolt is not operated by handle



Lock case	Face plate		Finish	
38PRB	S	Standard, Square Ends	US32D	Satin Stainless Steel
	R	Optional, Round Ends		

Panic Exit Entrance Lockset

Lock case:

38PAP

Finish:

SSS - Satin Stainless Steel

Description:

38PAP Yale Euro Mortise Lock

Backset:60mm

Panic Exit Lockset SSS

C to C:72mm

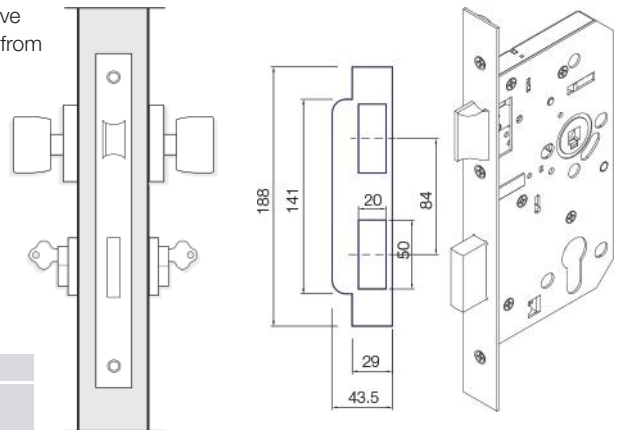
Door thickness:35mm to 50mm

Outside:

- Outside handle is made inoperative by key or turn from inside or key from outside.
Key locks or unlocks outside handle only

Inside:

- Open by handle at all times



Lock case	Face plate		Finish	
38PAP	S	Standard, Square Ends	US32D	Satin Stainless Steel
	R	Optional, Round Ends		

Mortise Lock

Lock Functionality

Passage Latch

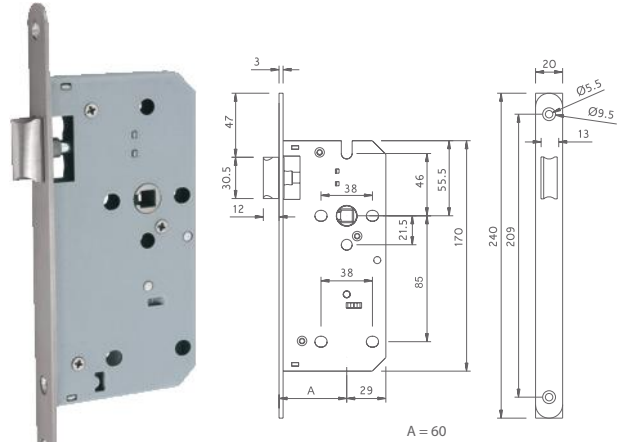
Lock case:
28P160-CE

Finish:
SSS - Satin Stainless Steel

Description:
28P160-CE Yale Euro Mortise Lock
Backset: 60mm
C to C: 85mm
Door thickness: 35mm to 50mm
Latchbolt, Forend, Follower: Stainless Steel
EN12209: 2003 Certified

Outside:
• Opened by handle at all times.

Inside:
• Open by handle at all times.



Lock case	Face plate		Finish	
28P160-CE	S	Standard, Square Ends	US32D	Satin Stainless Steel
	R	Optional, Round Ends		

Entrance Lockset

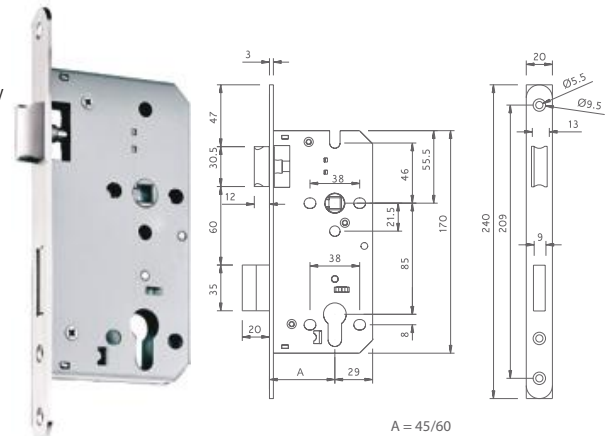
Lock case:
28P360-CE
28P345-CE

Finish:
SSS - Satin Stainless Steel

Description:
28P360-CE Yale Euro Mortise Lock
Backset: 45mm/60mm
C to C: 85mm
Door thickness: 35mm to 50mm
Latchbolt, Deadbolt, Forend, Follower: Stainless Steel
EN12209: 2003 Certified

Outside:
• Opened by handle when unlocked.
Lever withdraws latchbolt.
Key locks or unlocks bolt, key withdraw latchbolt.

Inside:
• Opened by handle when unlocked.
Lever withdraws latchbolt.
Key or turn locks or unlocks bolt,
key or turn withdraws latchbolt.



Lock case	Face plate		Finish	
28P360-CE	S	Standard, Square Ends	US32D	Satin Stainless Steel
	R	Optional, Round Ends		

Dead Lockset

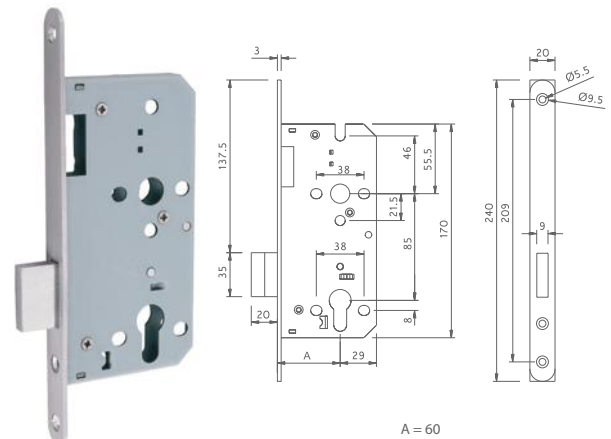
Lock case:
28P460-CE

Finish:
SSS - Satin Stainless Steel

Description:
28P460-CE Yale Euro Mortise Lock
Backset: 60mm
C to C: 85mm
Door thickness: 35mm to 50mm,
Deadbolt Forend: Stainless Steel
EN12209: 2003 Certified

Outside:
• Bolt is locked or unlocked by key or turn.

Inside:
• Bolt is locked or unlocked by key or turn.



Lock case	Face plate		Finish	
28P460-CE	S	Standard, Square Ends	US32D	Satin Stainless Steel
	R	Optional, Round Ends		

All dimensions are in mm

Mortise Lock

Lock Functionality

Privacy Lockset

Lock case:

28P960-CE

Finish:

SSS - Satin Stainless Steel

Description:

28P960-CE Yale Euro Mortise Lock

Backset: 60mm

C to C: 85mm

Door thickness: 35mm to 50mm

Latchbolt, Deadbolt, Forend, Follower: Stainless Steel

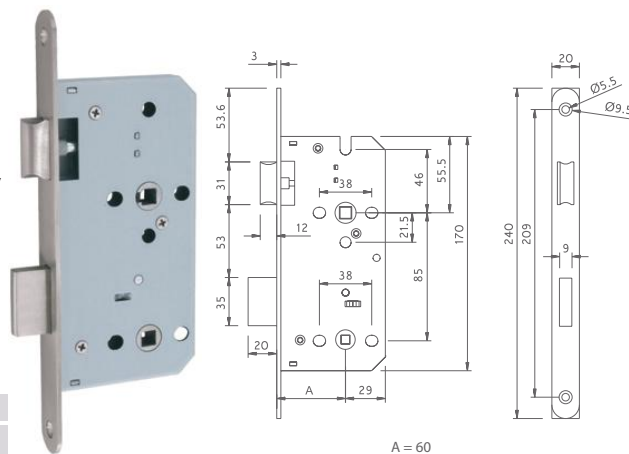
EN12209: 2003 Certified

Outside:

- Opened by handle except when bolt is thrown by turn knob from inside. Bolt may be unlocked from outside by coin or screwdriver by operating the slotted emergency button.

Inside:

- Opened by handle except when bolt is thrown by inside turn knob.



Lock case	Face plate		Finish	
28P960-CE	S	Standard, Square Ends	US32D	Satin Stainless Steel
	R	Optional, Round Ends		

Narrow Profile Entrance Lockset

Lock case:

28P335-CE

Finish:

SSS - Satin Stainless Steel

Description:

28P335-CE Yale Euro Mortise Lock

Backset: 35mm

C to C: 85mm

Door thickness: 35mm to 50mm

Latchbolt, Deadbolt, Forend, Follower: Stainless Steel

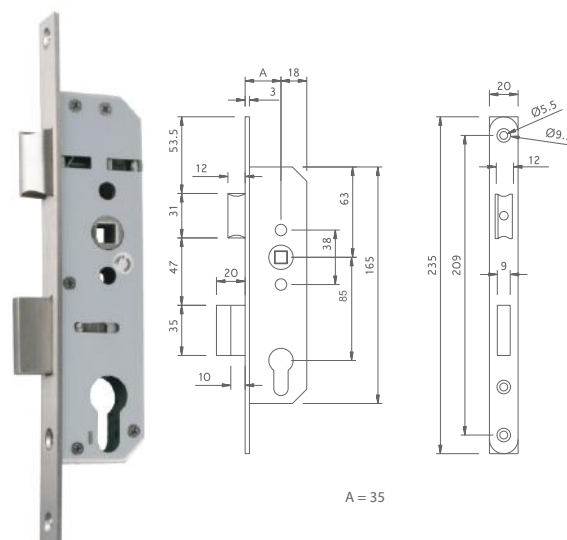
EN12209: 2003 Certified

Outside:

- Opened by handle when unlocked. Lever withdraws latchbolt. Key locks or unlocks bolt, key withdraw latchbolt

Inside:

- Opened by handle when unlocked. Lever withdraws latchbolt. Key or turn locks or unlocks bolt, key or turn withdraws latchbolt.



Lock case	Face plate		Finish	
28P335-CE	S	Standard, Square Ends	US32D	Satin Stainless Steel
	R	Optional, Round Ends		

Mortise Lock

How to order

38P1	R	x	US32D
Lock Case	Face Plate		Finish
38P1 38P3 38P4 38P5 38P6 38P9 38PRP 38PAP	S- Standard, Square Ends R- Optional, RoundEnds		US32D- Satin Stainless Steel

e.g

38P1S x US32D Yale Mortise Lock Case. Passage function. Standard Stainless faceplate with satin finish

28P160-CE	R	x	US32D
Lock Case	Face Plate		Finish
28P1 28P3 38P4 28P9	S- Standard, Square Ends R- Optional, RoundEnds		US32D- Satin Stainless Steel

e.g

28P160-CES x US32D Yale Mortise Lock Case. Passage function. Standard Stainless faceplate with satin finish

28P135-CES x US32D Yale Mortise Narrow Profile Lock Case. Entrance function. Standard Stainless faceplate with satin finish

Specification Service

For all Architectural hardware specification assistance refer to your local ASSA ABLOY Sales Office.

A fully comprehensive, obligation free, Architectural Door Hardware specification can be prepared by Architectural Hardware Consultants.

Cleaning

Care should be taken during construction/refurbishment to ensure that paint, thinners, mortar or cement splashes are carefully removed from locks, furniture and hardware. Removal of these splashes with strong cleaning agents or scourers should be avoided.

Dirt and grime should be regularly removed with a soft and clean cloth. Do not use solvent based or abrasive cleaning agents. During cleaning, care should be taken to prevent cleaning solution from entering the cylinder keyway. Surfaces should be dried and possibly lubricated.