

The world's favorite lock



Y Series Patch Fittings



Patch Fittings

Yale Patch Fitting Guidelines

Symbols used in this catalogue:

P = Patch Fitting
L = Patch Lock
S = Patch Strike

Door Specifications:

- Maximum Door Weight 80 kg
- Maximum Door Width 1100 mm

Available Finishes:

- Satin Stainless Steel - US32D
- Polished Stainless Steel - US32

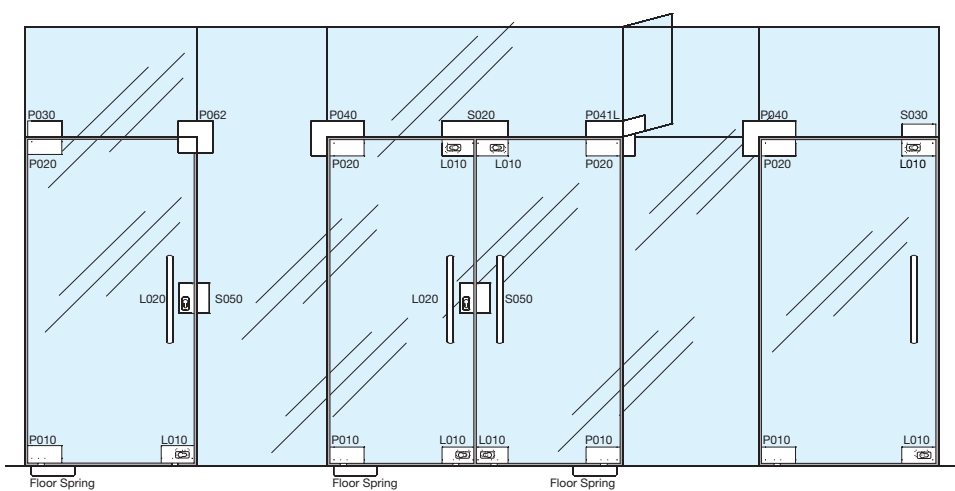
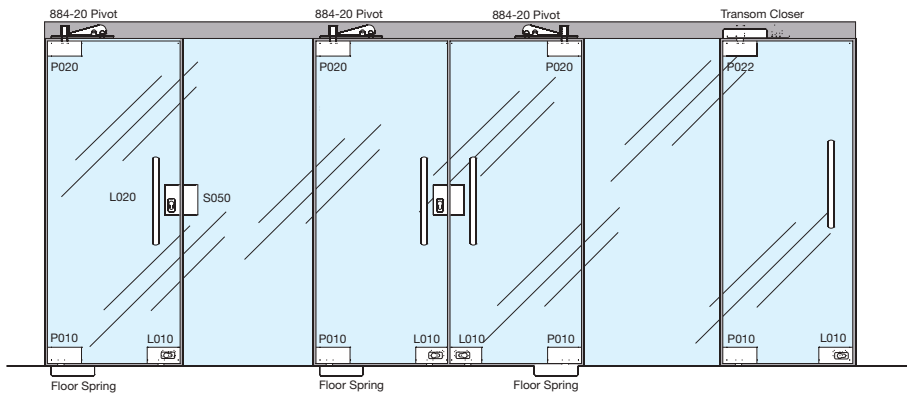
Recommended Torque for Fixing Screws:

- M6 ~ 10 Nm
- M6 ~ 15 Nm (with 5 mm hex drive)
- M8 ~ 20 Nm

Door Thickness:

- Glass Door Thickness 10mm ~ 12mm

Typical Glass Assemblies



Design and Specification are subject to change without prior notice.

Patch Fittings

Patch Fitting Range

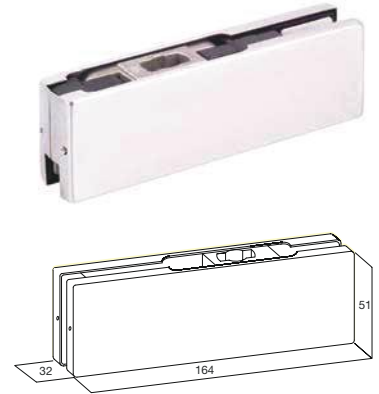
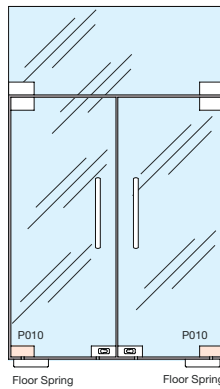
Bottom Door Patch to suit Floor Springs

Model No:
P010

Product Description:
Yale Bottom Door
Patch to suit Floor Springs

Finish:
Satin Stainless Steel - US32D
Polished Stainless Steel - US32

Model No.	Finish	
P010	US32D	Satin Stainless Steel - US32D
	US32	Polished Stainless Steel - US32



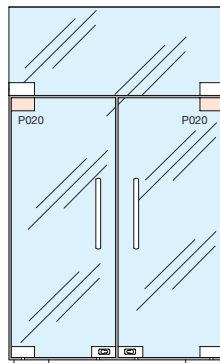
Top Door Patch to suit 15 mm pivot.

Model No:
P020

Product Description:
Yale Top Door
Patch to suit 15 mm pivot

Finish:
Satin Stainless Steel - US32D
Polished Stainless Steel - US32

Model No.	Finish	
P020	US32D	Satin Stainless Steel - US32D
	US32	Polished Stainless Steel - US32



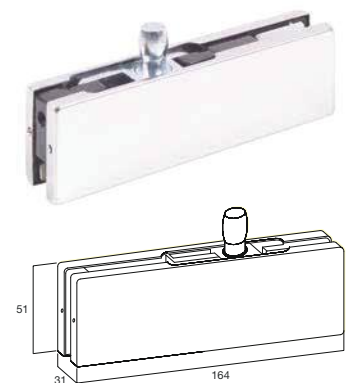
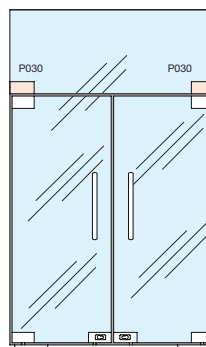
Overpanel Patch with 15 mm pivot without plate.

Model No:
P030

Product Description:
Yale Overpanel Patch with
15 mm pivot without plate

Finish:
Satin Stainless Steel - US32D
Polished Stainless Steel - US32

Model No.	Finish	
P030	US32D	Satin Stainless Steel - US32D
	US32	Polished Stainless Steel - US32



All dimensions are in mm

Patch Fittings

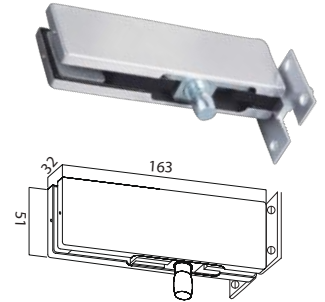
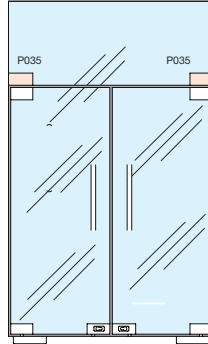
Overpanel Patch with 15 mm pivot with fixing plate.

Model No:
P035

Product Description:
Yale Overpanel Patch with
15 mm pivot with fixing plate

Finish:
Satin Stainless Steel - US32D
Polished Stainless Steel - US32

Model No.	Finish	
P035	US32D	Satin Stainless Steel - US32D
	US32	Polished Stainless Steel - US32



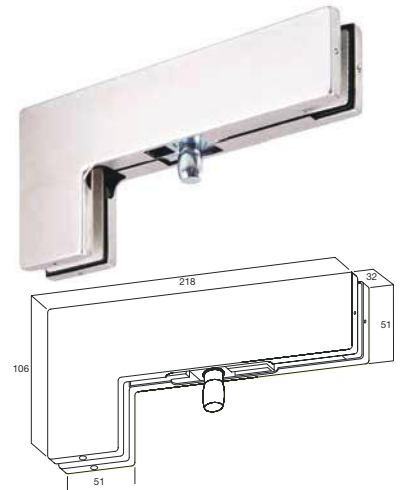
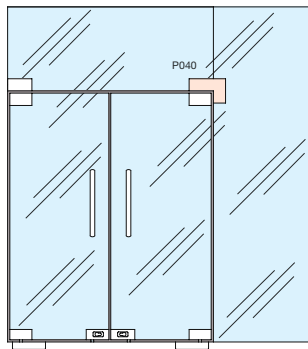
Top Patch for over and side panel with 15 mm pivot.

Model No:
P040

Product Description:
Yale Top Patch for over
and side panel with 15 mm pivot

Finish:
Satin Stainless Steel - US32D
Polished Stainless Steel - US32

Model No.	Finish	
P040	US32D	Satin Stainless Steel - US32D
	US32	Polished Stainless Steel - US32



Patch for over panels, side panel with fin fitting (Handed Left or Right).

Model No:
P041L

Product Description:
Yale Patch for over panels,
side panel with fin fitting Left

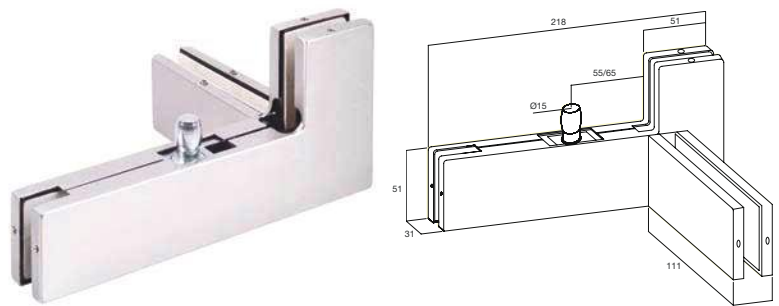
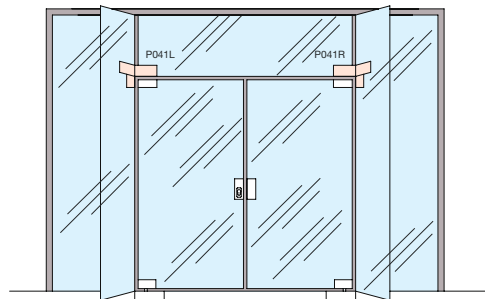
Finish:
Satin Stainless Steel - US32D
Polished Stainless Steel - US32

Model No:
P041R

Product Description:
Yale Patch for over panels,
side panel with fin fitting Right

Finish:
Satin Stainless Steel - US32D
Polished Stainless Steel - US32

Model No.	Finish	
P041L	US32D	Satin Stainless Steel - US32D
P041R	US32	Polished Stainless Steel - US32



All dimensions are in mm

Patch Fittings

Over panel and side panel for double or single swing doors without stops.

Model No:
P060

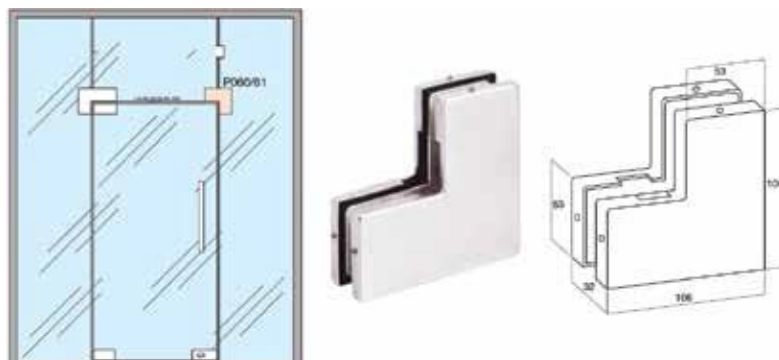
Product Description:
Yale over panel and side panel
for double or single swing door

Finish:
Satin Stainless Steel - US32D
Polished Stainless Steel - US32

Model No:
P061

Product Description:
Yale over panel and side panel
for double or single swing door

Finish:
Satin Stainless Steel - US32D
Polished Stainless Steel - US32



Model No:		
P060	US32D	Satin Stainless Steel - US32D
P061	US32	Polished Stainless Steel - US32

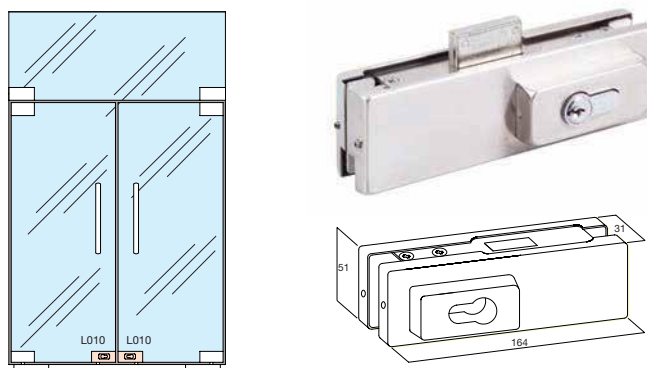
Corner Lock suits Europrofile Cylinder. Bolt has 20 mm projection.

Model No:
L010

Product Description:
Yale Corner Lock suits Euro
Profile Cylinder

Finish:
Satin Stainless Steel - US32D
Polished Stainless Steel - US32

Model No.	Finish	
L010	US32D	Satin Stainless Steel - US32D
	US32	Polished Stainless Steel - US32



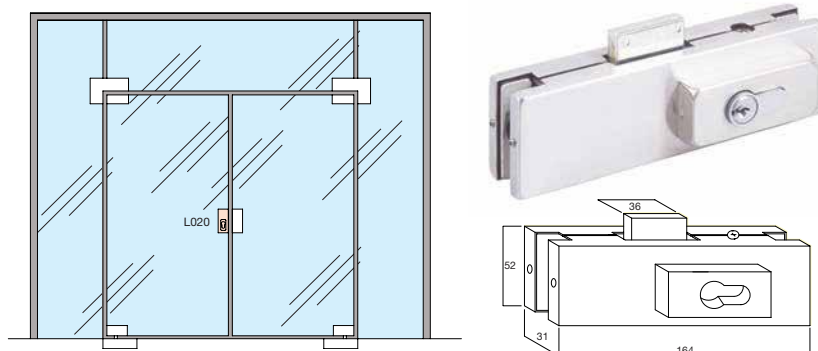
Centre lock suits Europrofile cylinder. Bolt has 20mm projection.

Model No:
L020

Product Description:
Yale Centre Lock suits Euro
Profile Cylinder

Finish:
Satin Stainless Steel - US32D
Polished Stainless Steel - US32

Model No.	Finish	
L020	US32D	Satin Stainless Steel - US32D
	US32	Polished Stainless Steel - US32



All dimensions are in mm

Patch Fittings

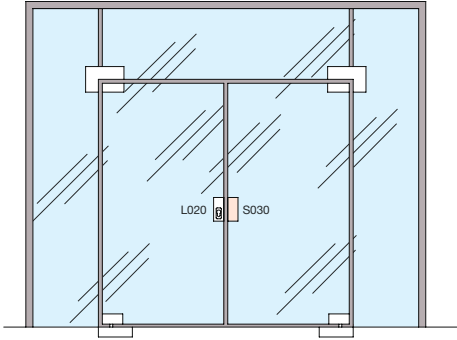
Single over panel strike box. Suits L020

Model No:
S030

Product Description:
Yale Single over panel strike
box (Suits L020 Centre Locks)

Finish:
Satin Stainless Steel - US32D
Polished Stainless Steel - US32

Model No.	Finish	
S030	US32D	Satin Stainless Steel - US32D
	US32	Polished Stainless Steel - US32



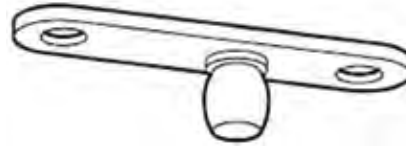
All dimensions are in mm

Patch Fittings

Accessories

Model No: TLG 502-15

Product Description: TLG 502-15 Top Pivot - 15 mm Dia

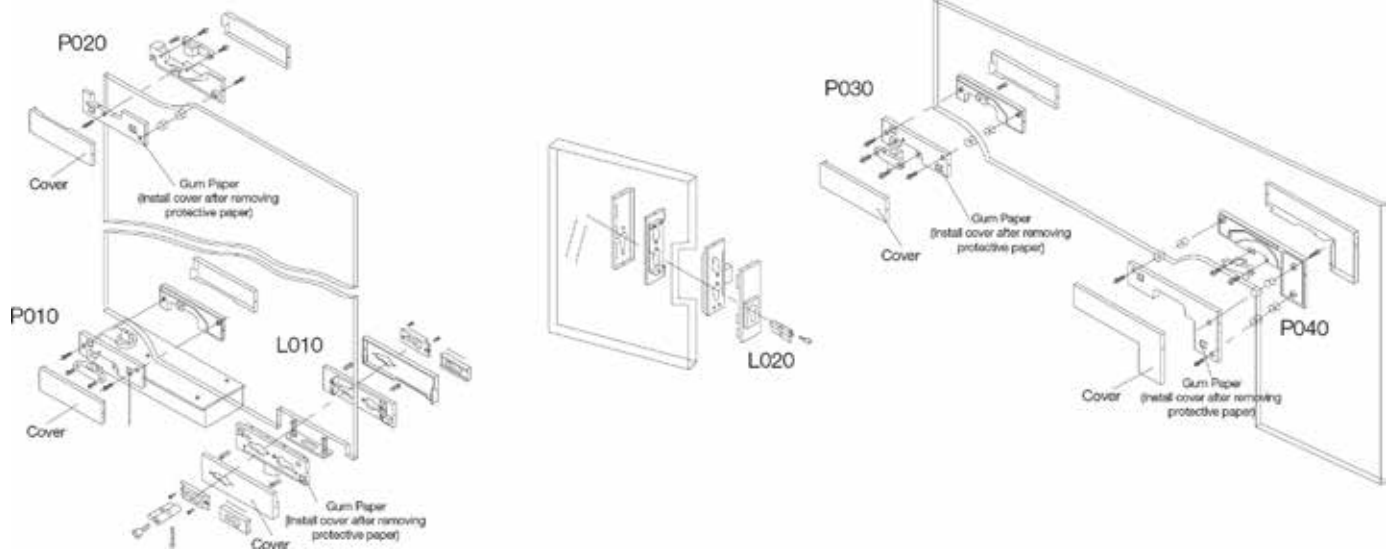


Model No: 985-35

Product Description: 985-35 Yale Heavy Duty Bottom Pivot



Typical Installation Details



How to Order

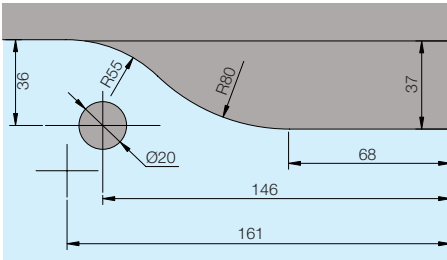
P10	x	US32D
Model No:		Finish
P010 P020 P030 P040 P041L P041R P060 P061 L010 L020 S030 985-35 TGL502-15		US32D- Satin Stainless Steel

PS020 x US32D Top Door Patch to suit 15 mm pivot
Satin Stainless Steel finish

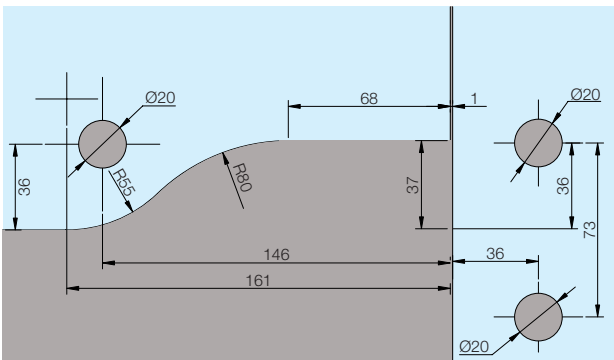
Patch Fittings

Note: Not to scale.

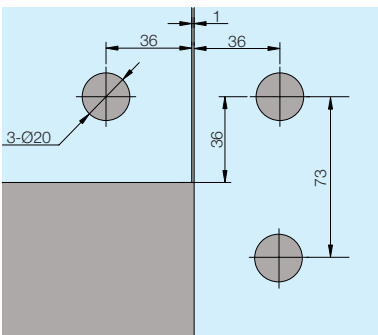
P010, 020, 030 Top, bottom and over panel patch cutout.



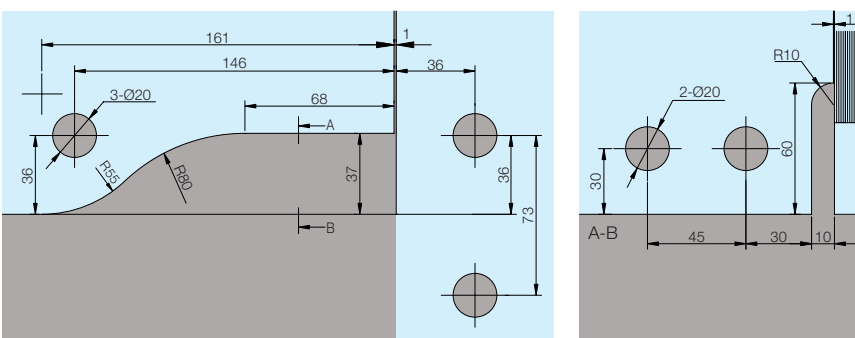
P040 Over panel and side panel with 15 mm pivot glass cutout.



P060, 061, 062 Connector for over panel with inserts glass cutout.



P041L/R Corner patch with reinforcing fin right/left hand glass cutout.

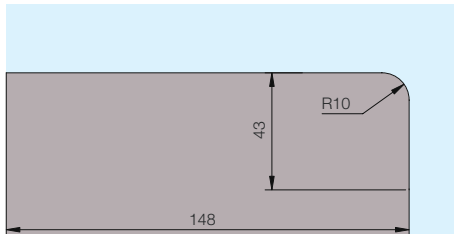


All dimensions are in mm

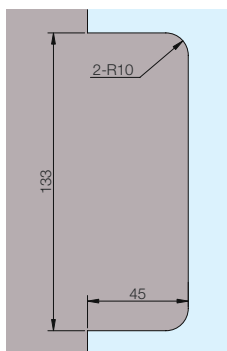
Patch Fittings

Note: Not to scale.

L010 Corner lock glass cutout.



L020 Strike box and centre lock glass cutout.



All dimensions are in mm

Specification Service

For all Architectural hardware specification assistance refer to your local ASSAABLOY Sales Office.

A fully comprehensive, obligation free, Architectural Door Hardware specification can be prepared by Architectural Hardware Consultants.

Cleaning

Care should be taken during construction/refurbishment to ensure that paint, thinners, mortar or cement splashes are carefully removed from locks, furniture and hardware. Removal of these splashes with strong cleaning agents or scourers should be avoided.

Dirt and grime should be regularly removed with a soft and clean cloth. Do not use solvent based or abrasive cleaning agents. During cleaning, care should be taken to prevent cleaning solution from entering the cylinder keyway. Surfaces should be dried and possibly lubricated.

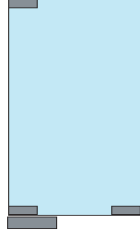
All dimensions are in mm

Patch Set

Set 1 Single door with frame on top

FS 923 Package Type 1

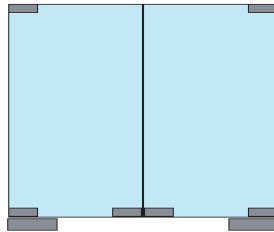
TLG 502 - Top Pivot - 1No.
P-020 - Top Patch - 1No.
P-010 - Bottom Patch - 1No.
L-010 - Corner Lock with EPC - 1No.
FS923 - Floor Spring - 1No.



Set 2 Double door with frame on top

FS 923 Package Type 2

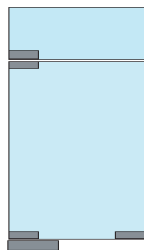
TLG 502 - Top Pivot - 2No.
P-020 - Top Patch - 2No.
P-010 - Bottom Patch - 2No.
L-010 - Corner Lock with EPC - 2No.
FS923 - Floor Spring - 2No.



Set 3 Single Door with Overpanel on top

FS 923 Package Type 3

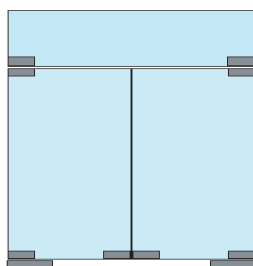
P-035 - Overpanel Patch with pivot - 1No.
P-020 - Top Patch - 1No.
P-010 - Bottom Patch - 1No.
L-010 - Corner Lock with EPC - 1No.
FS923 - Floor Spring - 1No.



Set 4 Double Door with Overpanel on top

FS 923 Package Type 4

P-035 - Overpanel Patch with pivot - 2No.
P-020 - Top Patch - 2No.
P-010 - Bottom Patch - 2No.
L-010 - Corner Lock with EPC - 2No.
FS923 - Floor Spring - 2No.



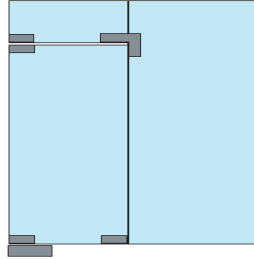
All dimensions are in mm

Patch Set

Set 5 Single door with Overpanel & Sidelight

FS 923 Package Type 5

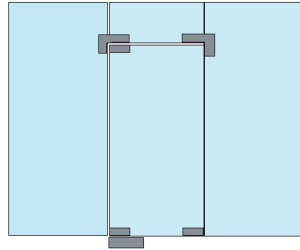
- P-035 - Overpanel Patch with pivot - 1No.
- P-060 - Corner Connector for Overpanel/Sidepanel - 1No.
- P-020 - Top Patch - 1No.
- P-010 - Bottom Patch - 1No.
- L-010 - Corner Lock with EPC - 1No.
- FS923 - Floor Spring - 1No.



Set 6 Single Door with Overpanel & Sidepanels (each side)

FS 923 Package Type 6

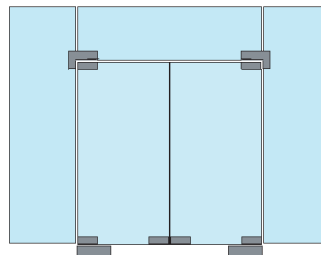
- P-040 - Patch with pivot for Overpanel/Sidepanel - 1No.
- P-060 - Corner Connector for Overpanel/Sidepanel - 1No.
- P-020 - Top Patch - 1No.
- P-010 - Bottom Patch - 1No.
- L-010 - Corner Lock with EPC - 1No.
- FS923 - Floor Spring - 1No.



Set 7 Double Door with Overpanel & Sidepanels (each side)

FS 923 Package Type 7

- P-040 - Patch with pivot for Overpanel/Sidepanel - 2No.
- P-020 - Top Patch - 2No.
- P-010 - Bottom Patch - 2No.
- L-010 - Corner Lock with EPC - 2No.
- FS923 - Floor Spring - 2No.

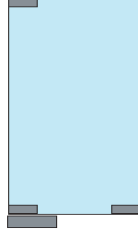


Patch Set

Set 1 Single door with frame on top

FS 934 Package Type 1

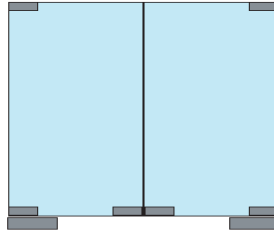
TLG 502 - Top Pivot - 1No.
P-020 - Top Patch - 1No.
P-010 - Bottom Patch - 1No.
L-010 - Corner Lock with EPC - 1No.
FS934 - Floor Spring - 1No.



Set 2 Double door with frame on top

FS 934 Package Type 2

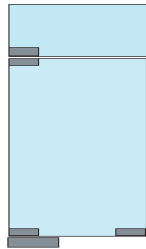
TLG 502 - Top Pivot - 2No.
P-020 - Top Patch - 2No.
P-010 - Bottom Patch - 2No.
L-010 - Corner Lock with EPC - 2No.
FS934 - Floor Spring - 2No.



Set 3 Single Door with Overpanel on top

FS 934 Package Type 3

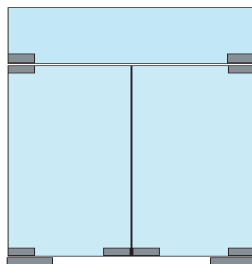
P-035 - Overpanel Patch with pivot - 1No.
P-020 - Top Patch - 1No.
P-010 - Bottom Patch - 1No.
L-010 - Corner Lock with EPC - 1No.
FS934 - Floor Spring - 1No.



Set 4 Double Door with Overpanel on top

FS 934 Package Type 4

P-035 - Overpanel Patch with pivot - 2No.
P-020 - Top Patch - 2No.
P-010 - Bottom Patch - 2No.
L-010 - Corner Lock with EPC - 2No.
FS934 - Floor Spring - 2No.



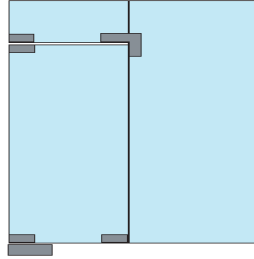
All dimensions are in mm

Patch Set

Set 5 Single door with Overpanel & Sidelight

FS 934 Package Type 5

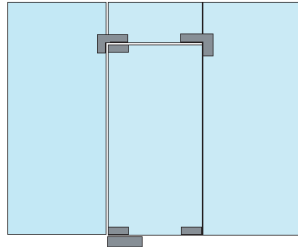
- P-035 - Overpanel Patch with pivot - 1No.
- P-060 - Corner Connector for Overpanel/Sidepanel - 1No.
- P-020 - Top Patch - 1No.
- P-010 - Bottom Patch - 1No.
- L-010 - Corner Lock with EPC - 1No.
- FS934 - Floor Spring - 1No.



Set 6 Single Door with Overpanel & Sidepanels (each side)

FS 934 Package Type 6

- P-040 - Patch with pivot for Overpanel/Sidepanel - 1No.
- P-060 - Corner Connector for Overpanel/Sidepanel - 1No.
- P-020 - Top Patch - 1No.
- P-010 - Bottom Patch - 1No.
- L-010 - Corner Lock with EPC - 1No.
- FS934 - Floor Spring - 1No.



Set 7 Double Door with Overpanel & Sidepanels (each side)

FS 934 Package Type 7

- P-040 - Patch with pivot for Overpanel/Sidepanel - 2No.
- P-020 - Top Patch - 2No.
- P-010 - Bottom Patch - 2No.
- L-010 - Corner Lock with EPC - 2No.
- FS934 - Floor Spring - 2No.

